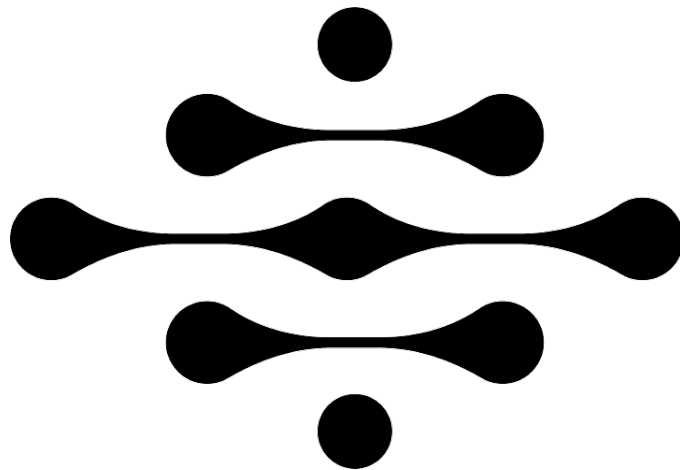


Quadra Mult

User Manual



eso-tek.com

Installation

This module is designed to be mounted within any standard Eurorack-compatible case. It requires only 4 HP of width, and because the Mult is a passive module, it requires no power to operate.

Operation

Quadra Mult is a four channel multiple with one input to three outputs. It allows the user to copy up to four signals (Audio/CV) and multiply them in a variety of combinations, such as 1x12, 2x6, 4x3 or in unique combinations such as (2x3-1x6) (1x9-1x3) and even more!

Channels 1 and 3 are normalled to 2 and 4.

(Channel 2 is also normalled to Channel 3)

Since the device is passive, it can also be used to combine signals some examples are: (6x2, 12x1 or even 3x4 etc...).

ESO-TEK

Example #1

Lets patch 1x12 (Basic Multiple)

Patch any signal (Audio/CV or Gate) Into the input labeled “In 1” this will give you up to 12 copies of the one signal you plugged into “In 1” that you can freely use. (Outputs are not labeled)

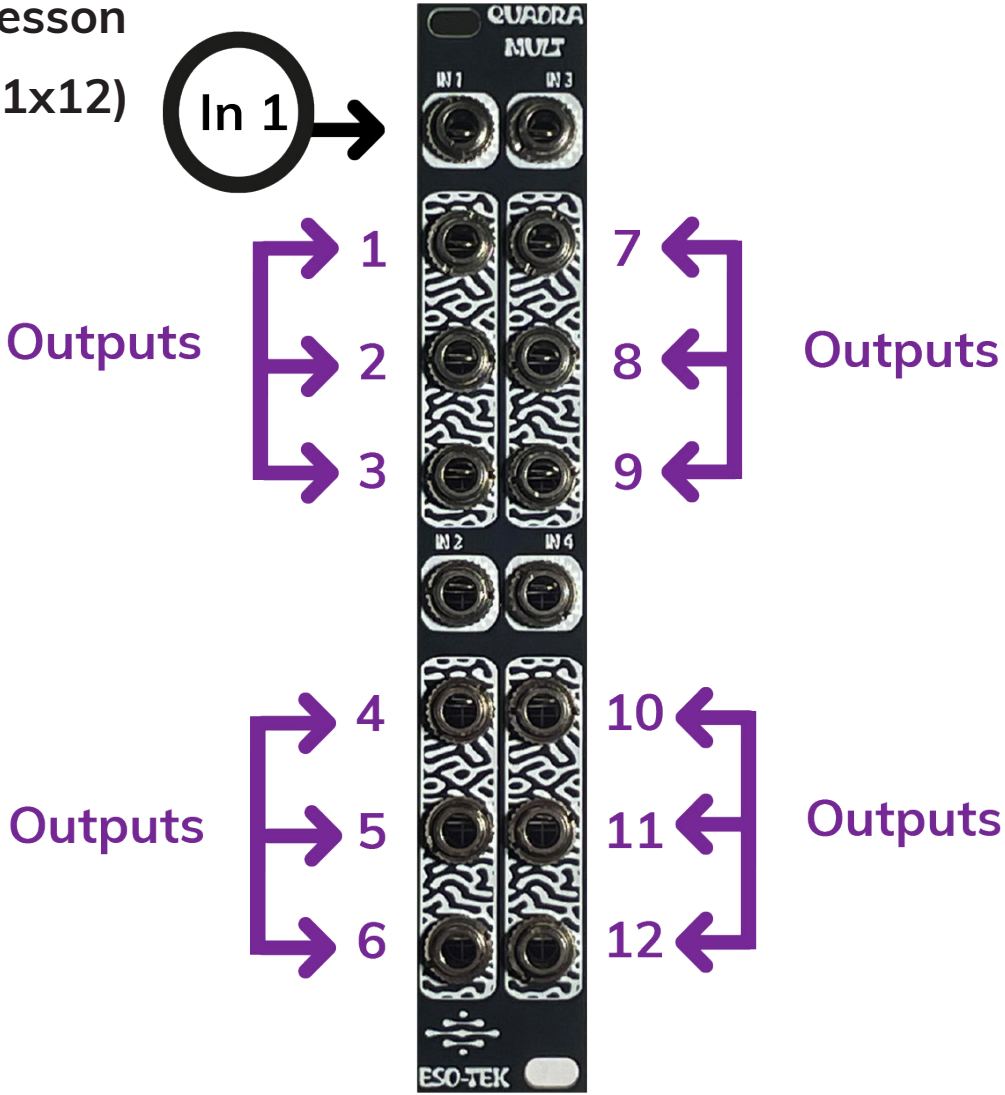
For example maybe you want to sync multiple systems or sequencers for a new track or live set.

Patch the clock signal into input 1 (In1) and patch the remaining outputs to any clock inputs in your system!

ESO-TEK

Example #1 (Continued)

Heres a visual example
of our first lesson
(Lets patch 1x12)



Example #2

Lets patch 2x6 (Split Multiple)

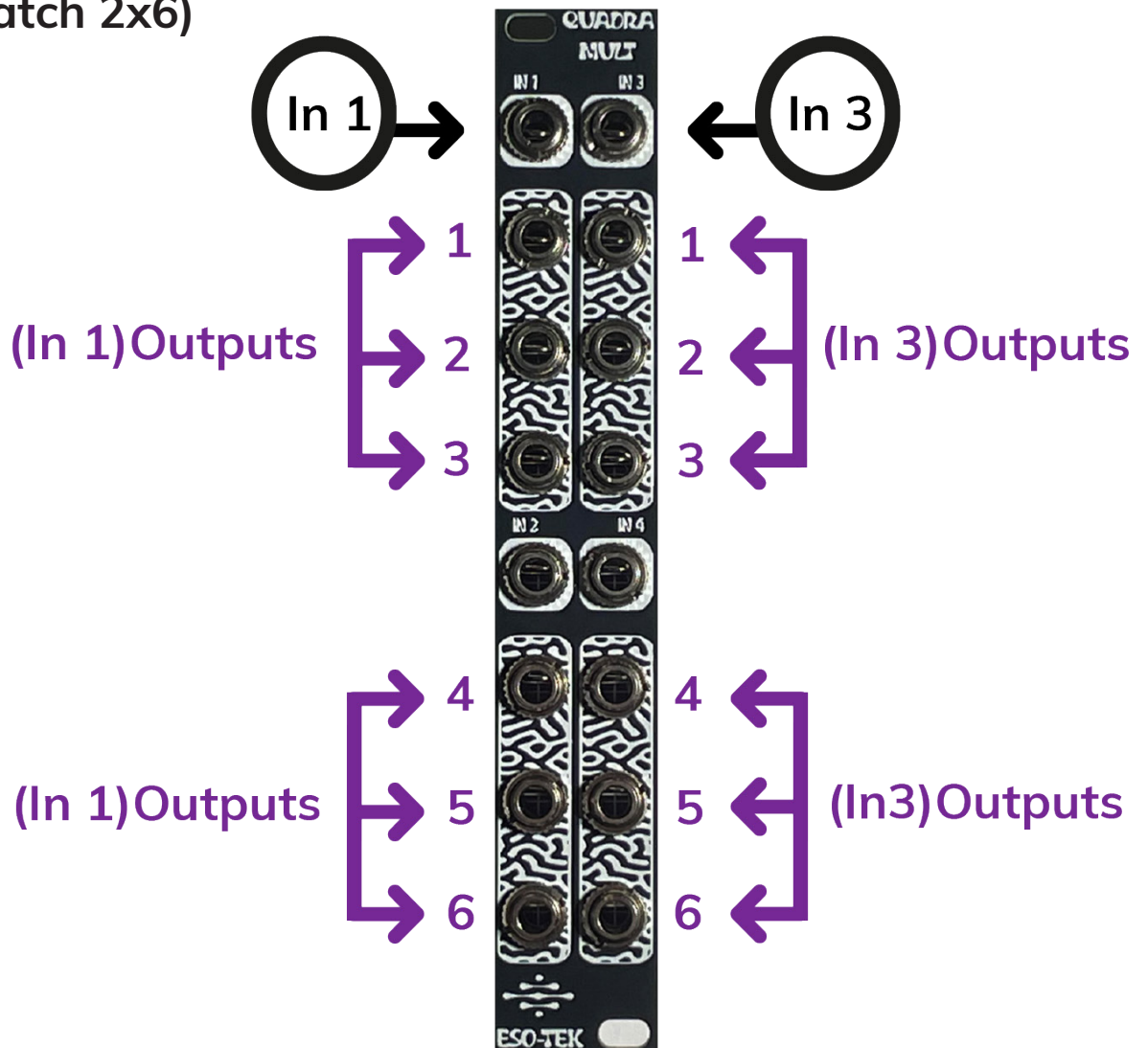
Patch any signal (Audio/CV or Gate) Into inputs labeled “In 1” and “In 3” this will give you up to six copies of Input 1 and Input 3 (Outputs are not labeled)

This kind of routing can be very useful when using multiple signals, such as sending a clock signal and cv signal to multiple different destinations allowing you to have more control over your system.

Example #2 (Continued)

Heres a visual
example.

(Lets patch 2x6)



ESO-TEK

Example #3

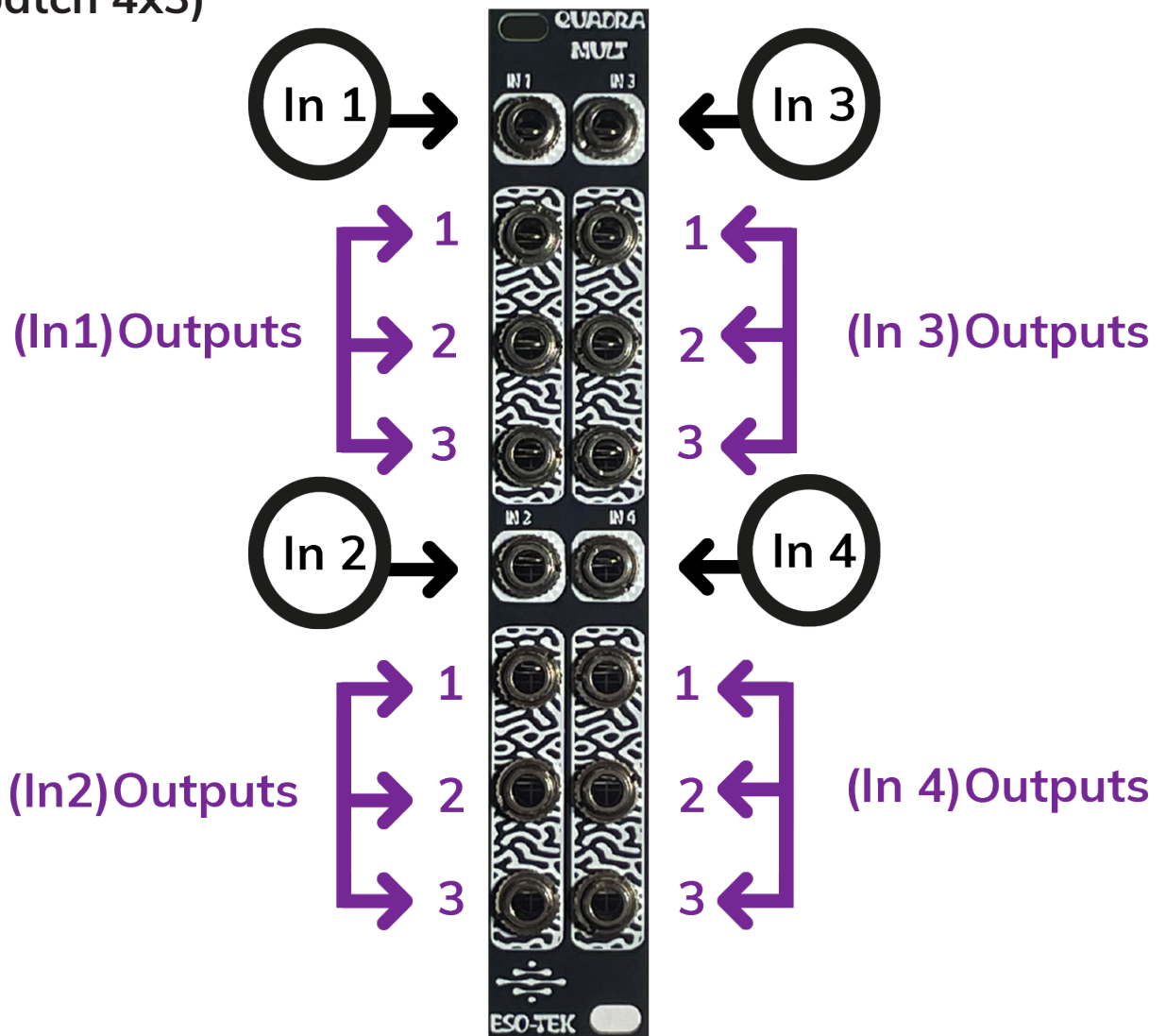
Lets patch 4x3 (Quad Mult)

Patch four different signals (Audio/CV) Into In 1, In 2, In 3 and In 4 . (See “Example 3”) this will give you up to three copies per input!

This kind of routing can be very useful for copying multiple different signal types. For example you can send clock, cv, audio, and gate to different destinations, allowing you to have more control over your system.

Example #3 (Continued)

Heres a visual example of
our third lesson
(Lets patch 4x3)



ESO-TEK

Example #4

Lets patch 6x2 Mix (Summing Mixer)

Patch any signal (Audio/CV) Into all or any of the inputs as labeled in our example on the next page. (See “Example 4”) and plug another cable into the top left output labeled “In 1” and the top right output labeled “In 2”.

This will give you an extra hand by splitting your channels into two groups.

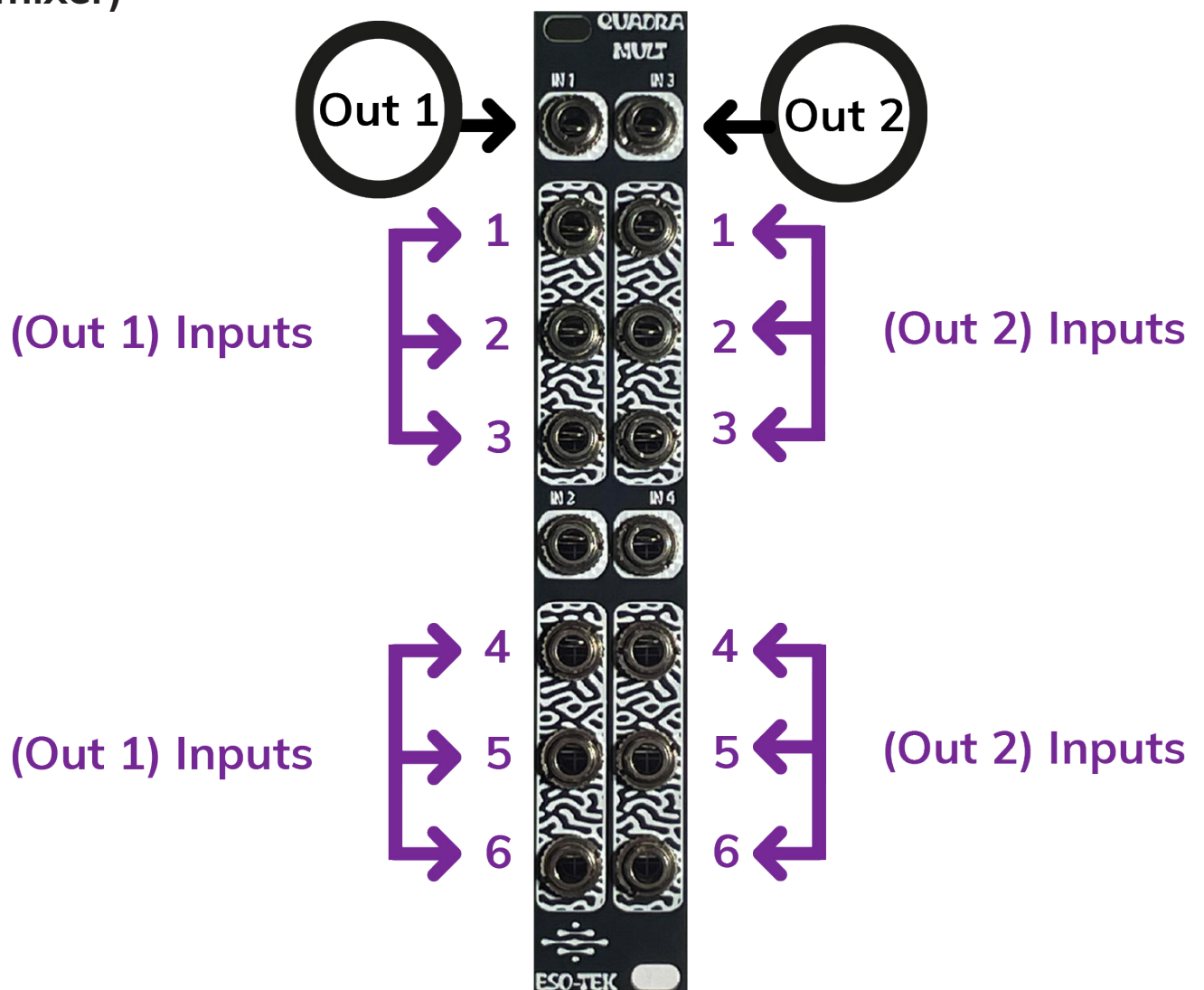
For example, you could mix gate signals on the first group and audio sources on the second group.

You could even mix cv sources to make some really neat waveforms for modulating your system.

Quadra Mult is very flexible allowing you to mix and multiply different sources at the same time!

Example #4 (Continued)

Heres a visual example of
our fourth lesson
(Lets patch 6x2 Summing
mixer)



ESO-TEK

Questions Or Concerns?

Please reach out to us if you have any other questions/concerns at:
(support@esotek.com)

If you need support for your module please email as us at:
(techhelp@eso-tek.com)

ESO-TEK

Technical Specifications

Width: 4 HP | Maximum Depth: 27mm |

